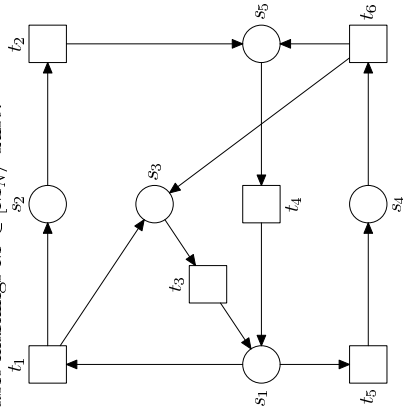
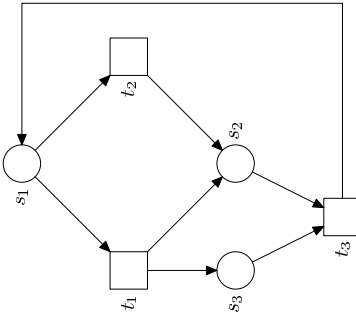


7.1 For which initial markings M_N of the following net N do not any dead reachable markings $M \in [M_N]$ exist?



7.2 Does an initial marking exist such that the following net is live?



7.3 Construct an initial marking such that the following marked graph is live and safe:

